

USER GUIDE

LED LIGHTED MIRROR

Model: 66202426



(Items other than the mirror shown in the picture above are not included)

IMPORTANT SAFETY INFORMATION

Please read through this installation instruction so you will know how to install and operate your model properly. Keep this document in a safe place for future reference after use.

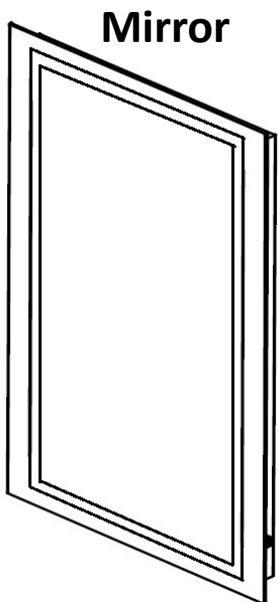
WARNING

This product must be installed in accordance with the installation instruction by qualified technician. Failure to follow instruction could result in death or serious bodily injury.

CAUTION

This product must be serviced by qualified personnel. ALWAYS unplug the power cord or turn off the circuit breaker before service.

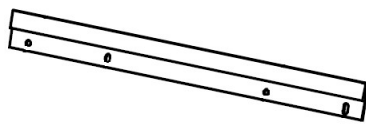
PACKAGE CONTENTS



Mirror

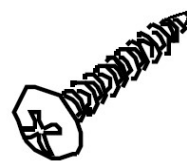
(x1)

Mounting Bracket



(Model 66202426 x1)

Screw



(Model 66202426 x2)

Drywall Anchor

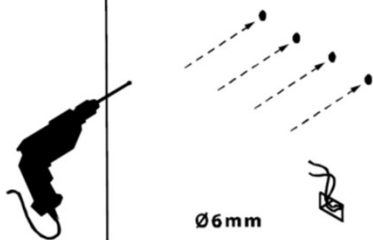


(Model 66202426 x2)

- Using the wall studs to hang the mirror is highly recommended.
- This mirror is NOT designed to work with dimmable wall switch.
- Before fixing the mounting location, please make sure there is no interference to the IR sensor. It requires a minimum clearance of **4-1/2"** and will not function normally when interference occurs. Measure from the top of the backsplash if one is used. Remove the objects in vicinity or relocate the mirror and try again.

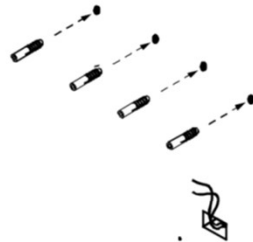
INSTALLATION

1



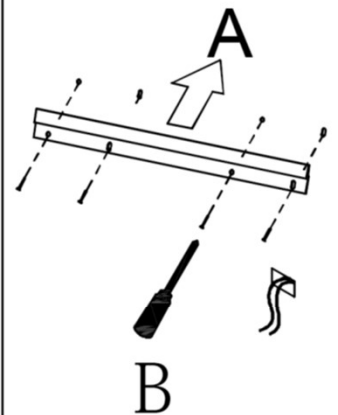
For drywall installation, mark the hole locations and drill Φ 6mm holes for the drywall anchors. Install a junction box behind the mirror for power connections.

2



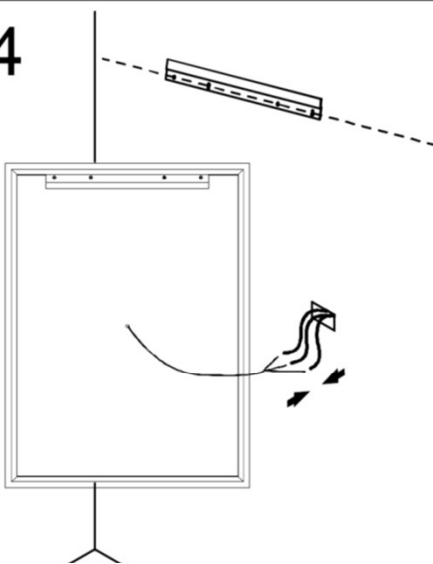
Insert provided drywall anchors.

3



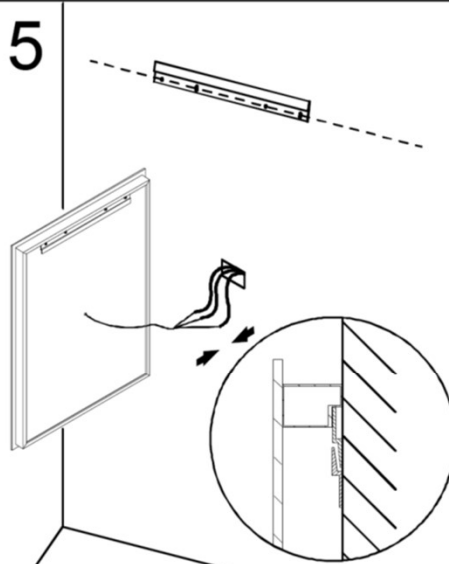
Install the mounting bracket.

4



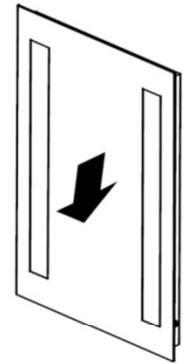
Connect to 120 VAC, 60Hz power supply.

5



Hang the mirror to the wall and make sure the bracket in the back of the mirror lineup with the mounting bracket properly.

6

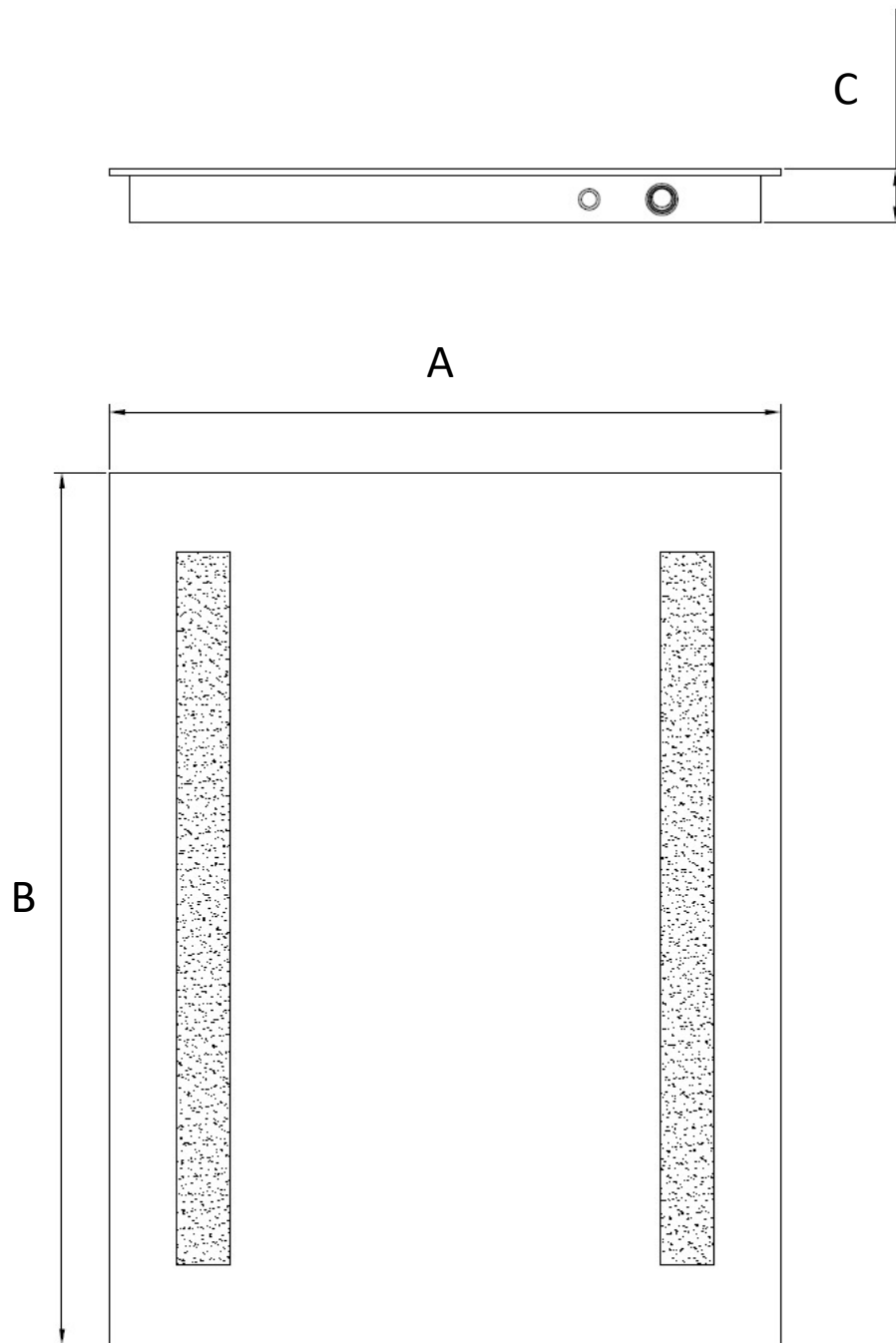


Press the mirror down slightly and make sure the brackets fit properly.



- Using the wall studs to hang the mirror is highly recommended.
- This mirror is NOT designed to work with dimmable wall switch.
- Before fixing the mounting location, please make sure there is no interference to the IR sensor. It requires a minimum clearance of **4-1/2"** and will not function normally when interference occurs. Measure from the top of the backsplash if one is used. Remove the objects in vicinity or relocate the mirror and try again.

INSTALLATION DIMENSIONS



Model #	A	B	C
66202426	24	26	1 5/8

BASIC OPERATION

1. Rocker switch

- a. Turn switch to <|> position; light can be controlled by the IR sensor.
- b. Turn switch to <O> position to turn off the lights.
- c. Turn switch to <||> position to turn on the light to the brightest level.



2. Dimmable IR sensor

- a. Turn the Rocker switch to <-> position to activate the IR sensor.
- b. Move your hand across the IR sensor to turn the lights on or off.
- c. The distance between your hand and the sensor should be approx. 1”.
- d. To adjust the brightness of the lights, turn on the lights with the IR sensor. Place your hand in front of the sensor until the desirable brightness has reached and move your hand away from the sensor.
- e. If the lights flicker, the level of brightness might be too low; try to adjust the brightness to a higher level.



IR sensor requires a minimum clearance of **4-1/2”** and will not function normally when interference occurs. Remove the objects in vicinity or relocate the mirror and try again.

CARE AND MAINTENANCE

Clean the mirror with a soft, damp cloth and dry thoroughly with a soft towel. Do NOT allow the edges of the mirror to get or remain wet over a period of time. Please do NOT use glass cleaner that contains ammonia or vinegar. Never spray any cleaner directly onto a mirror. Instead apply the cleaner to a soft cloth and then wipe the mirror. Make sure no commercial cleaner comes in contact with the edge or backing.

WARRANTY

5 years Limited Warranty

innoci usa LED mirrors (Illumirror®) have been manufactured under the highest standards of quality and workmanship. We warrant to the original purchaser that our LED mirrors are free from any defects in material and workmanship by normal use for 5 years from date of purchase. A replacement for any defective part will be supplied FREE OF CHARGE for installation by you.

This warranty is valid to the original purchaser only and does not cover product damage due to installation error, product abuse, product misuse, etc. whether or not performed by professionals. **innoci usa** will not be responsible for labor charges and/or damage incurred in installation, repair or replacement nor for any incidental or consequential damages.

All warranty claims should be sent to customerservice@innoci-usa.com or call 1.866.479.8076. Our customer service representative will contact you promptly to help you go through the process until you are completely satisfied with our products.

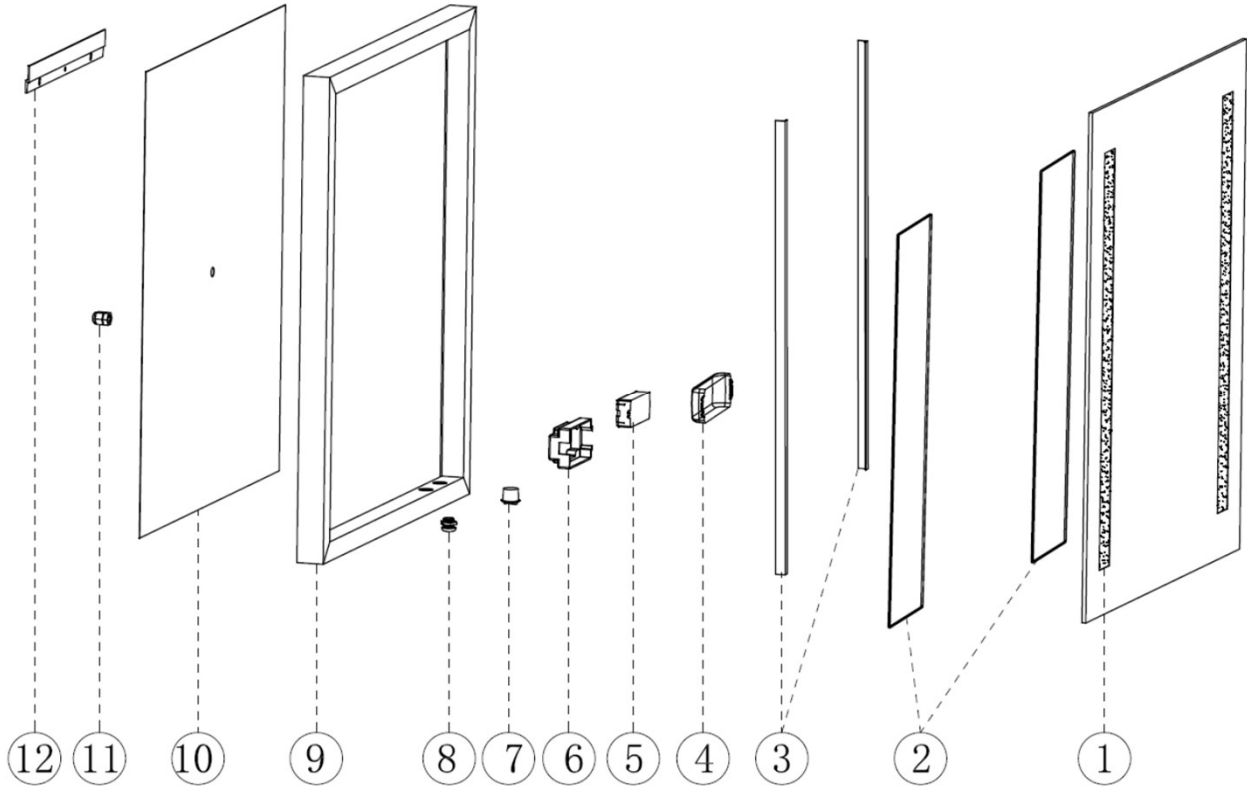
SHORTAGE OR DAMAGED PRODUCTS All shipments are carefully inspected and counted before leaving our distribution centers. Please inspect carefully on receipt of merchandise, noting any discrepancy or damage on the carrier's freight bill at that time, and file a claim with the carrier within 10 days from receipt of order. Then contact our office. Deductions from invoices for shortages or damage claims will not be allowed.

RETURN NEW GOODS All claims for returns or adjustments must have prior approval and return authorization (RA) number. Only original, sealed product in salable condition are eligible for return. Credit for authorized returns will be issued at the net price paid for the product and subject to a 15% restocking/handling fee. Merchandise is to be returned via prepaid freight. All unauthorized returns will be refused or subject to a 25% restocking/handling fee.

To request an "RA" number: Contact our Customer Service Representatives at customerservice@innoci-usa.com. We will send you a Return Authorization Number (RA) by return email. Please take necessary precautions when returning merchandise to prevent additional damage. Insurance is the responsibility of the shipper.

Exploded view

Part	Description
1	Mirror
2	LED Light
3	Light Support
4	LED Driver
5	Sensor Switch Driver
6	Connection Box
7	Rocket Switch
8	IR Sensor
9	Aluminum Frame
10	Back Plate
11	Cable Gland
12	Mounting Bracket



innoci usa, Inc.

14530 Best Ave.,
Santa Fe Springs, CA 90670

www.innoci-usa.com